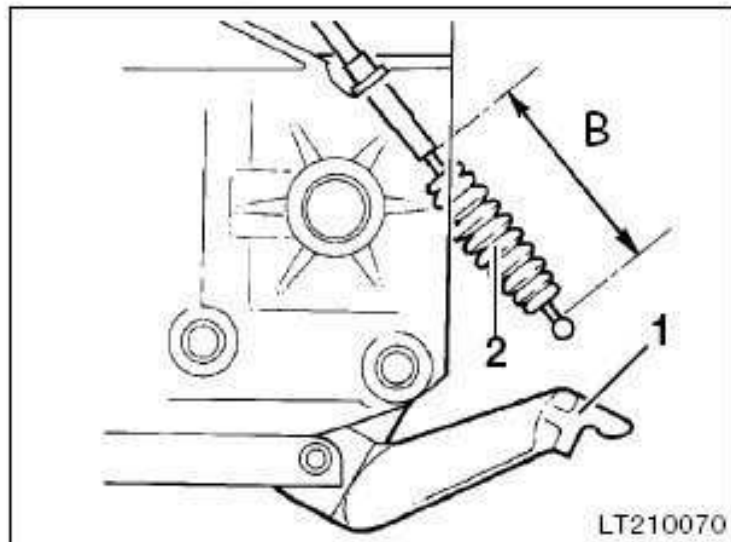


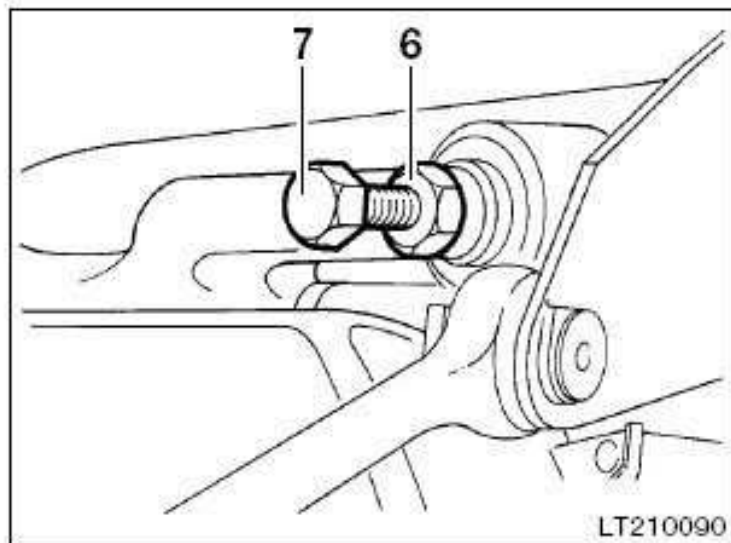
Adjusting clutch clearance



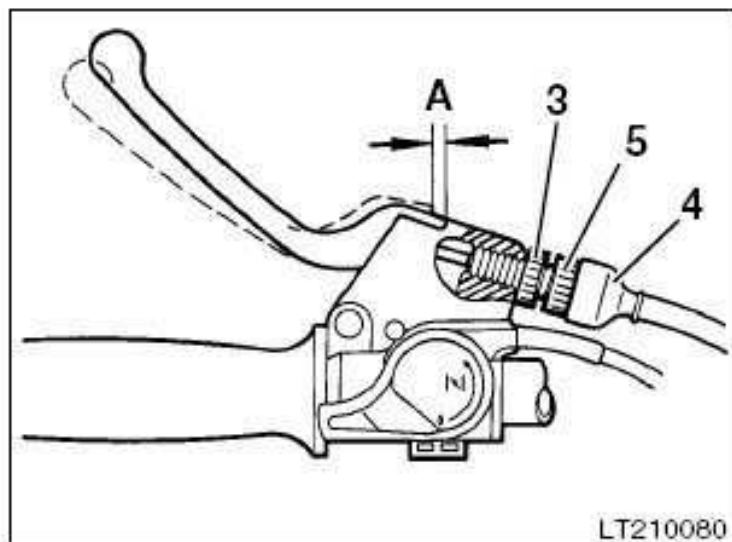
- Detach clutch cable at the clutch release lever (1).
- Slightly pull back rubber gaiter (2).
- With the aid of setting gauge, **BMW No. 21 3 500**, set dimension "B" with adjusting screw at clutch hand lever.

Dimension "B" ... 75 ± 1 mm (2.95275 ± 0.03937 in)

- Re-attach clutch cable at clutch release lever.



- With the aid of box wrench, **BMW No. 21 3 610**, release locknut (6) of adjusting screw (7) on clutch release lever.
- Unscrew adjusting screw by one to two turns, then screw in until pressure point can be felt.
- Lock adjusting screw with locknut.



- Set dimension "A" with adjusting screw at clutch hand lever.
- Lock adjusting screw (5) with knurled nut (3).

Dimension "A" .. $4 \pm 0,5$ mm (0.15748 ± 0.019685 in)



Caution:

Take up subsequent wear only at the adjusting screw on the clutch release lever.