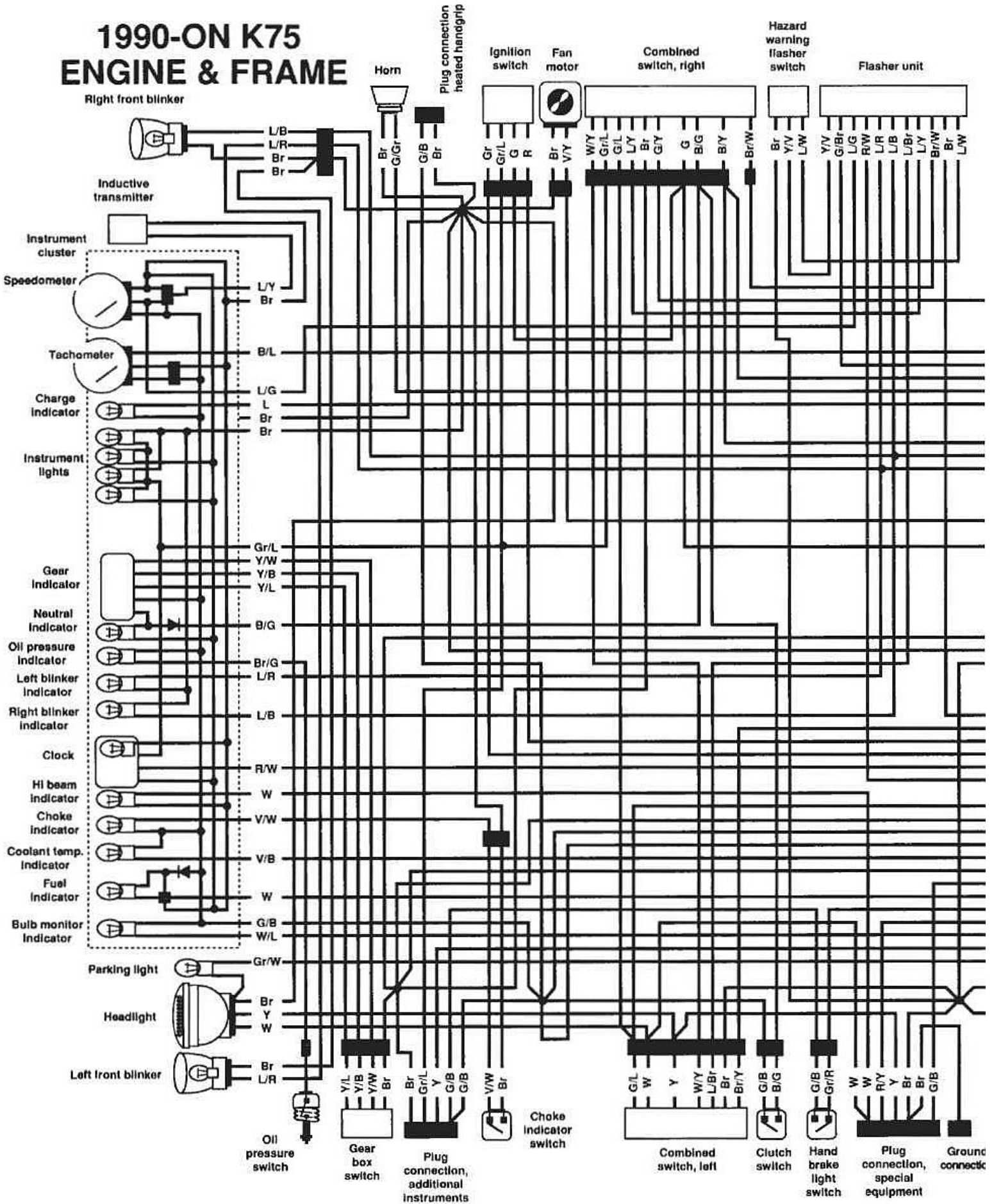
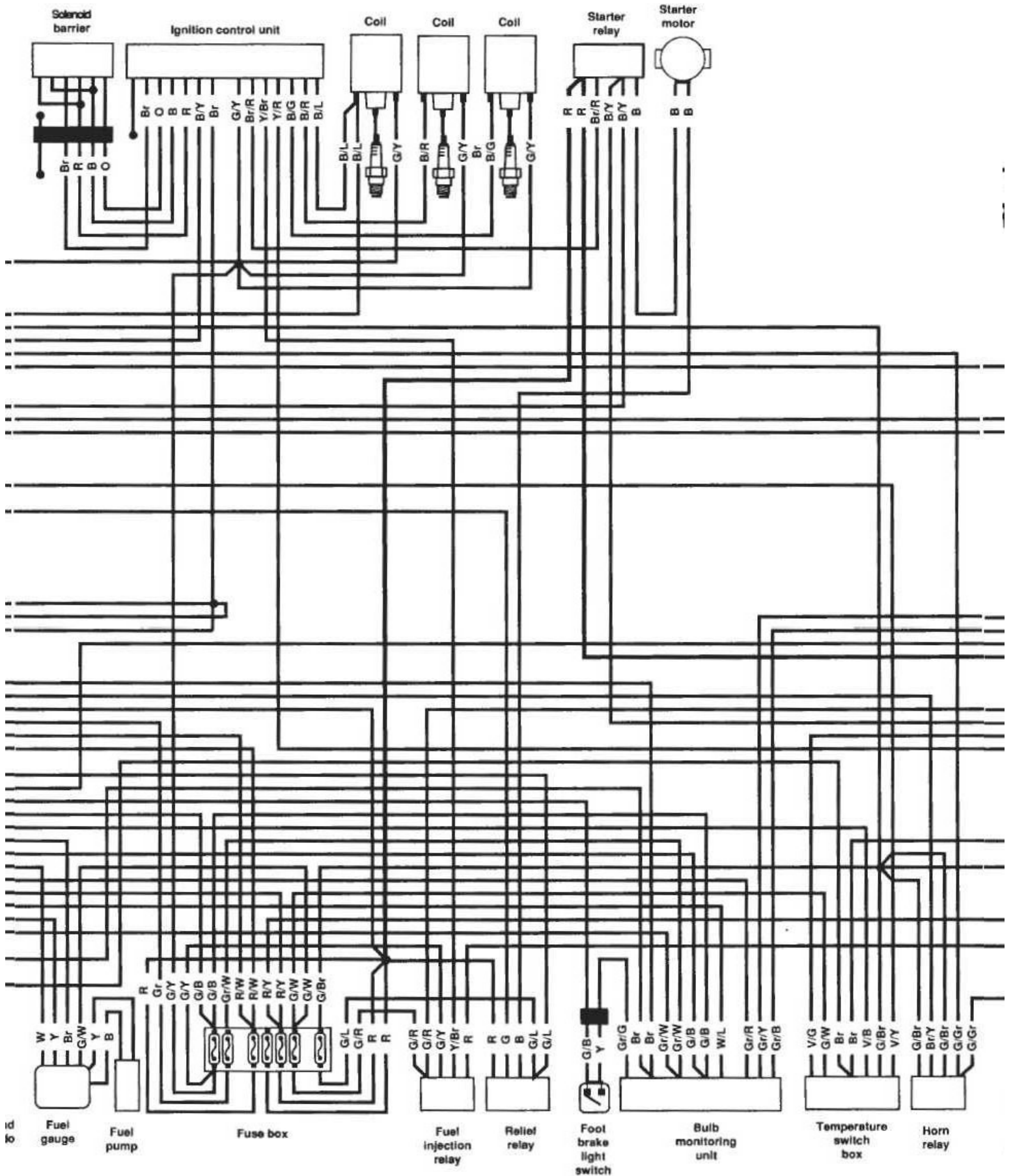


1990-ON K75 ENGINE & FRAME





Airflow meter

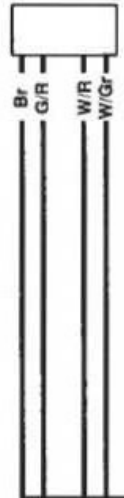


Diagram Key

- Connectors
- Ground
- Frame ground
- Connection
- No connection

B	Black	L/B	Blue/Black
W	White	L/W	Blue/White
R	Red	L/R	Blue/Red
G	Green	L/G	Blue/Green
L	Blue	L/Y	Blue/Yellow
Y	Yellow	L/Br	Blue/Brown
O	Orange	Y/B	Yellow/Black
V	Violet	Y/R	Yellow/Red
Br	Brown	Y/G	Yellow/Green
Gr	Grey	Y/Br	Yellow/Brown
B/R	Black/Red	Y/G	Yellow/Grey
B/G	Black/Green	V/B	Violet/Black
B/L	Black/Blue	V/W	Violet/White
B/Y	Black/Yellow	V/G	Violet/Green
W/B	White/Black	Br/W	Brown/White
W/R	White/Red	Br/R	Brown/Red
W/L	White/Blue	Br/Y	Brown/Yellow
W/Br	White/Brown	Gr/W	Grey/White
W/Gr	White/Grey	Gr/L	Grey/Blue
R/B	Red/Black		
R/W	Red/White		
R/Y	Red/Yellow		
G/B	Green/Black		
G/W	Green/White		
G/R	Green/Red		
G/L	Green/Blue		
G/Y	Green/Yellow		
G/V	Green/Violet		
G/Br	Green/Brown		
G/Gr	Green/Grey		

