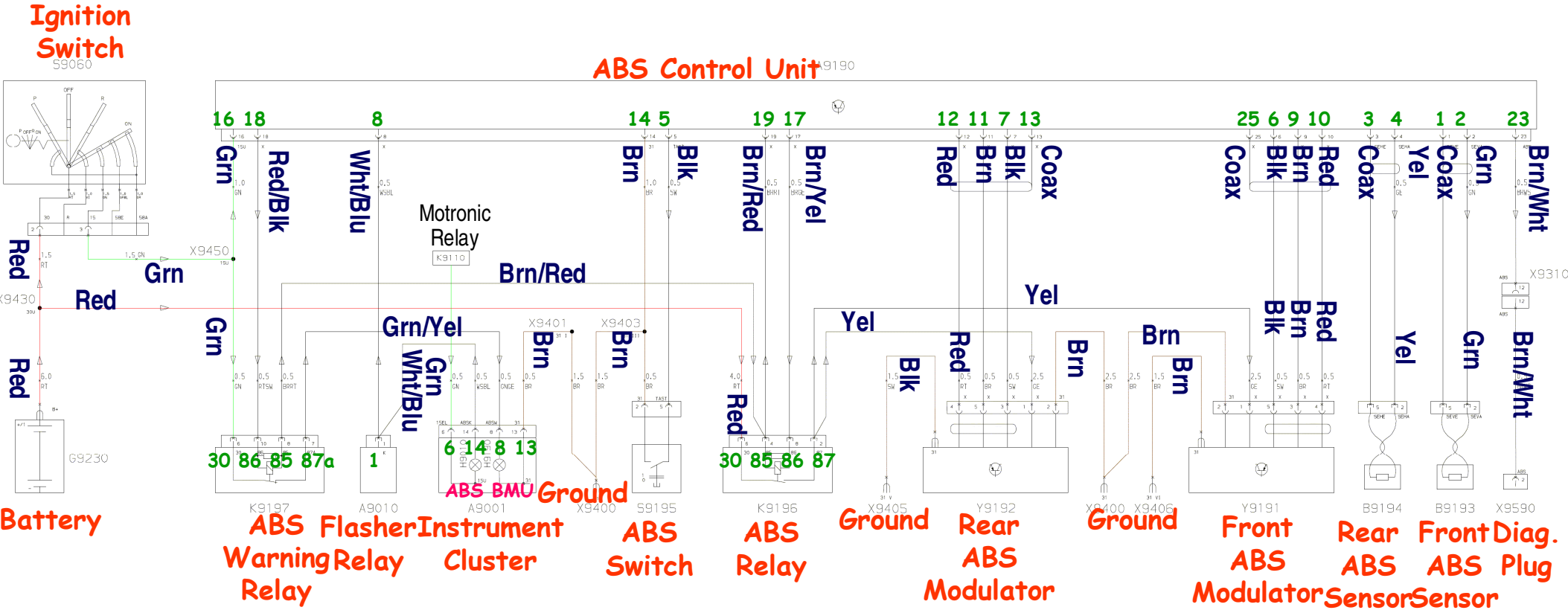


# BMW K1100LT 1993 & Earlier Wiring Diagrams



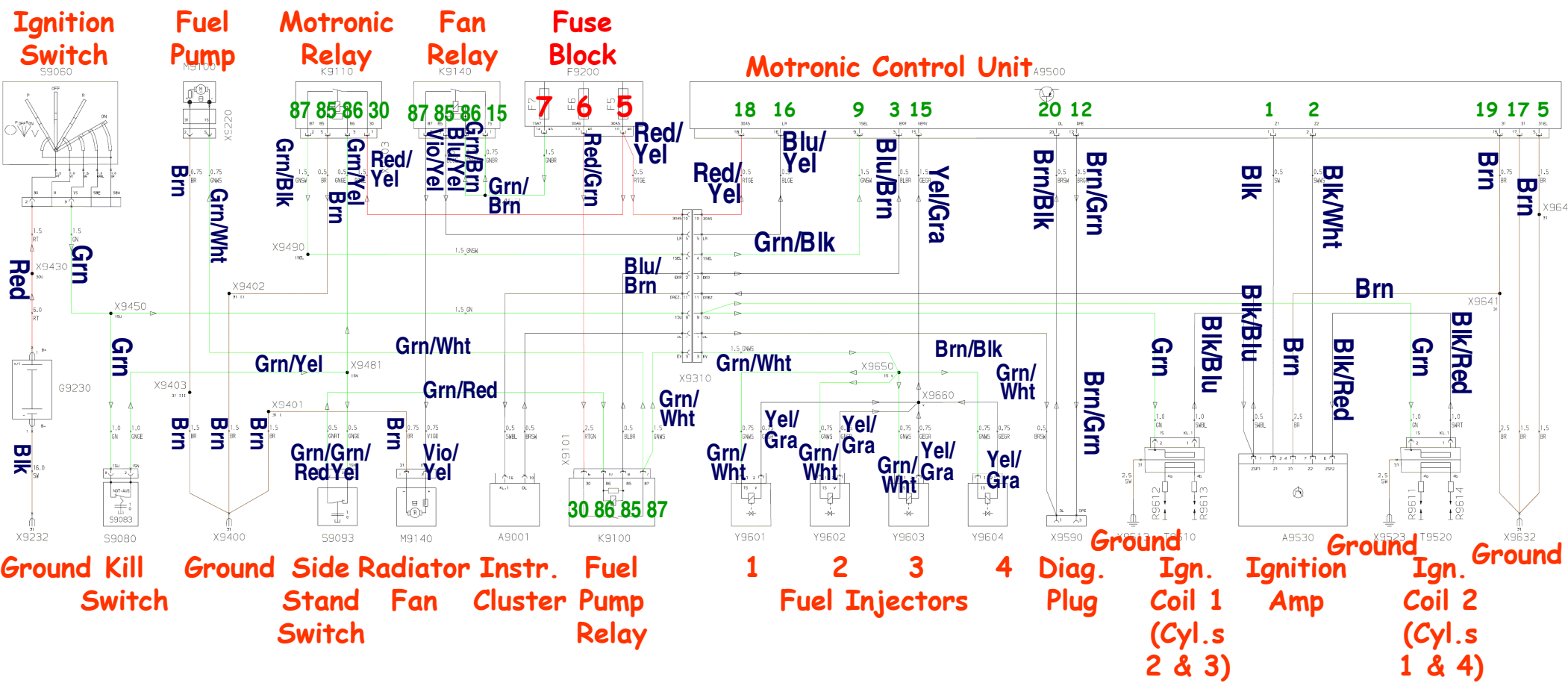
- 1) ABS**
- 2) Motronic with Inputs**
- 3) Motronic with Outputs**
- 4) Instrument Cluster**
- 5) Plus, Grounds, Fuses**
- 6) Reading Light**
- 7) Radio**
- 8) Windscreen**
- 9) Lights with Brake Lights**
- 10) Turn Signals and Horns**
- 11) Heated Grips, Power  
Sockets, Extras & Alarm**
- 12) Component Legend**
- 13) Fuse Details**

# 1) 1993 K1100LT - ABS

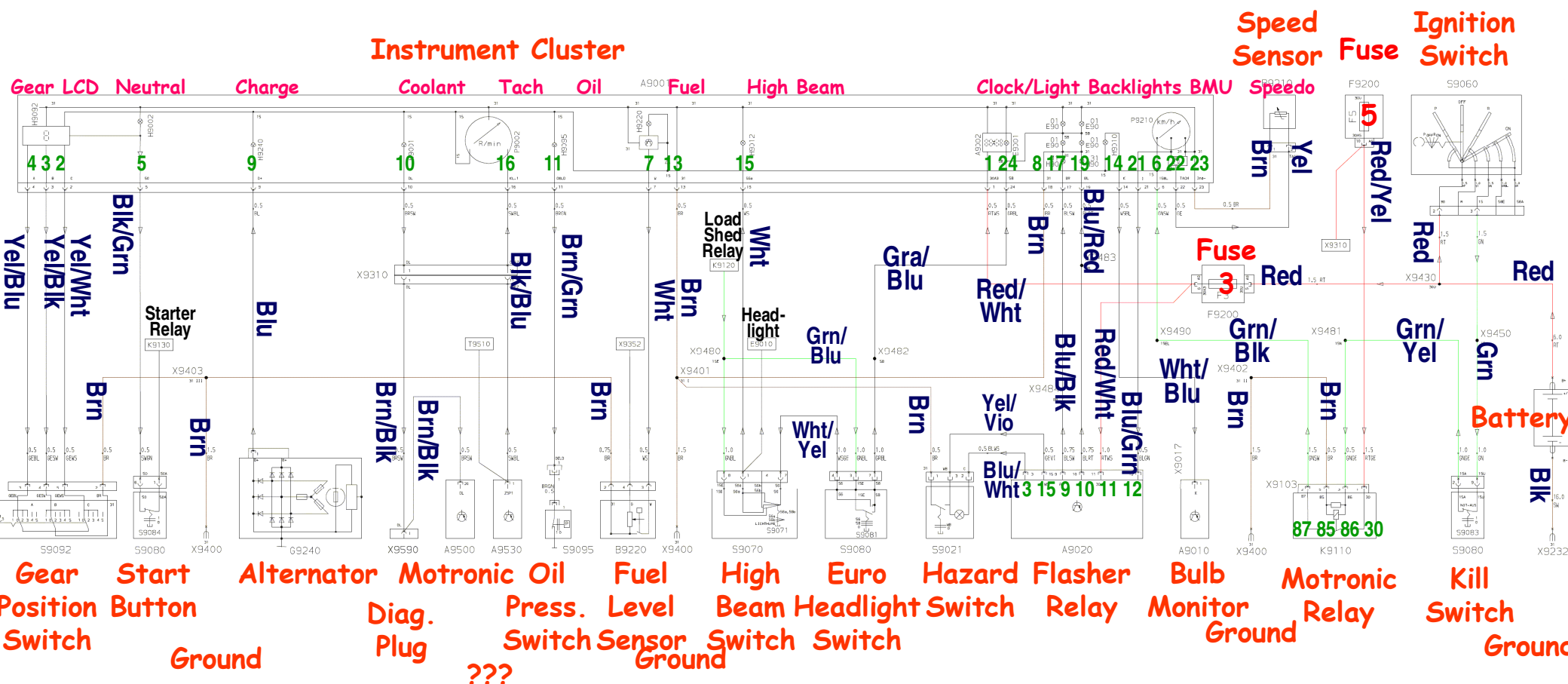




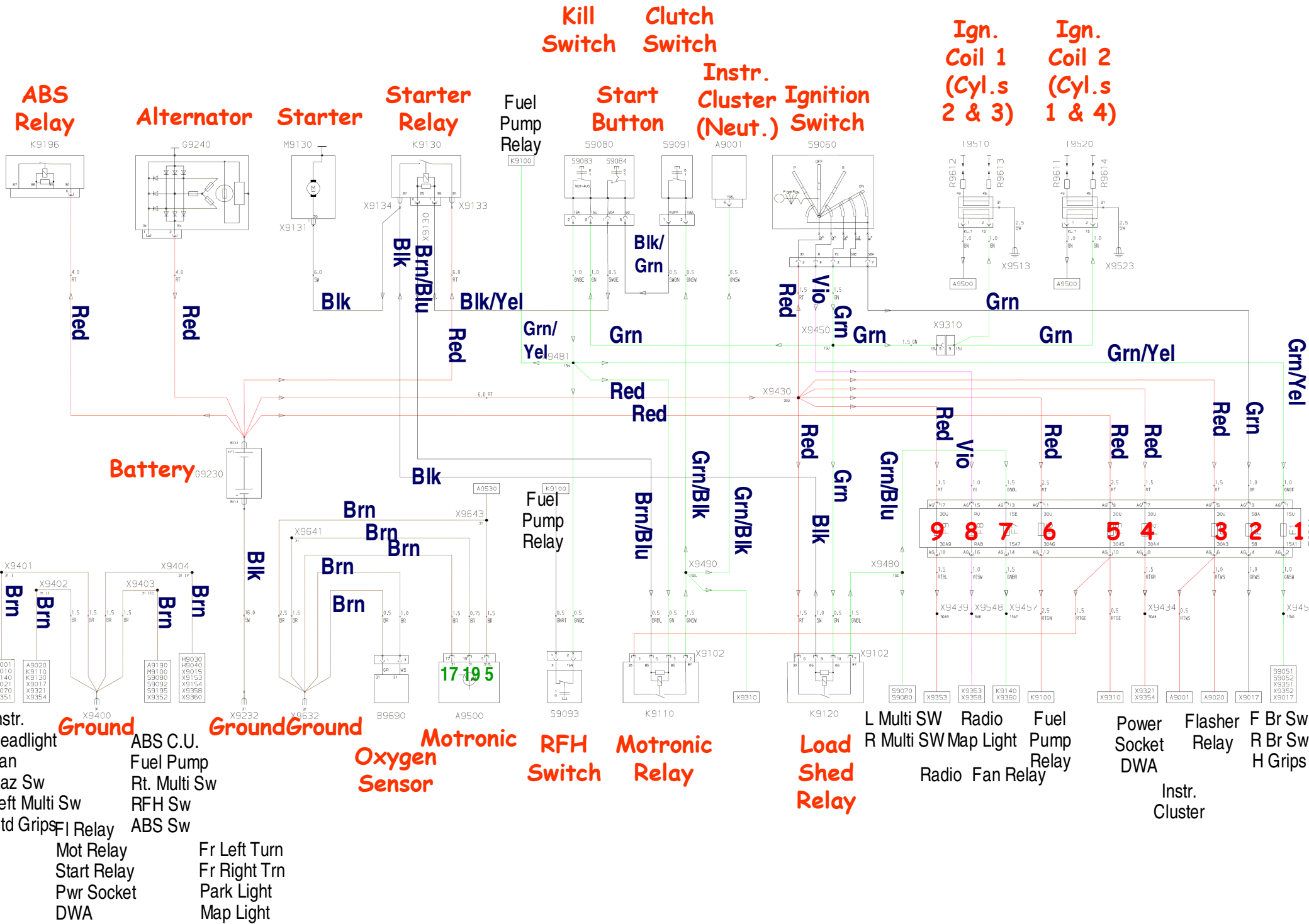
# 3) 1993 K1100LT – Motronic with Outputs



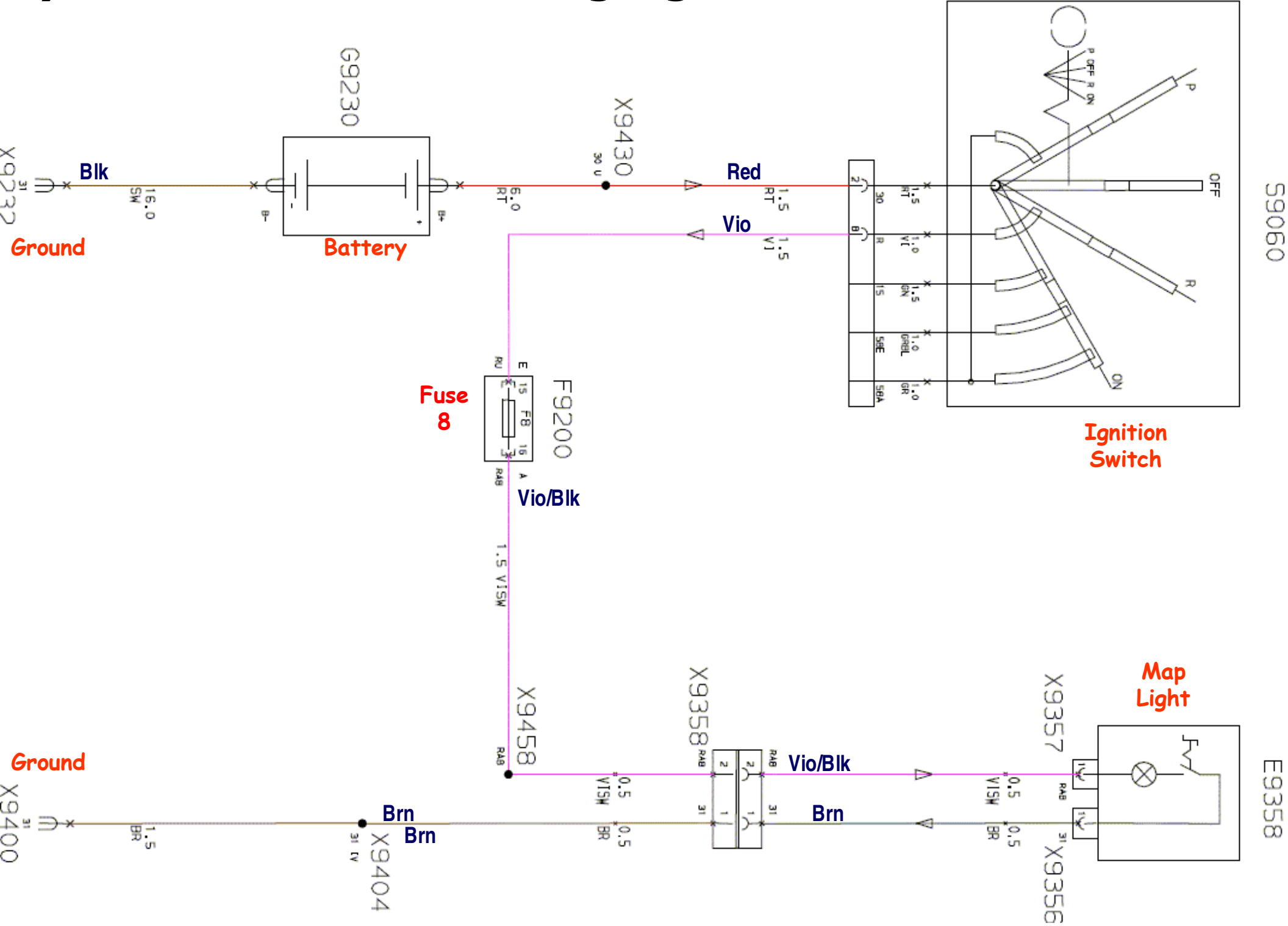
# 4) 1993 K1100LT - Instrument Cluster



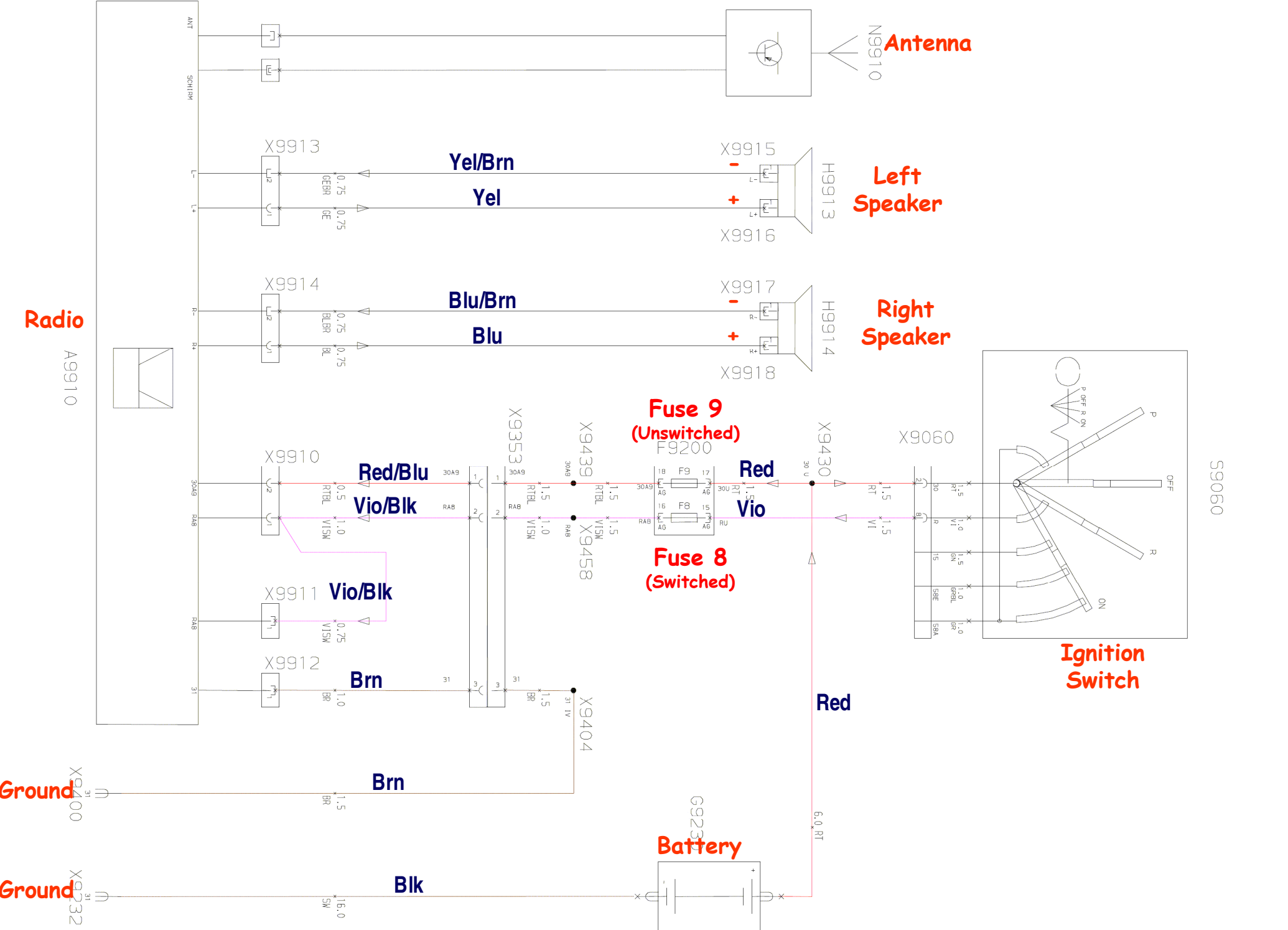
# 5) 1993 K1100LT – Plus, Grounds, Fuses



# 6) 1993 K1100LT – Reading Light

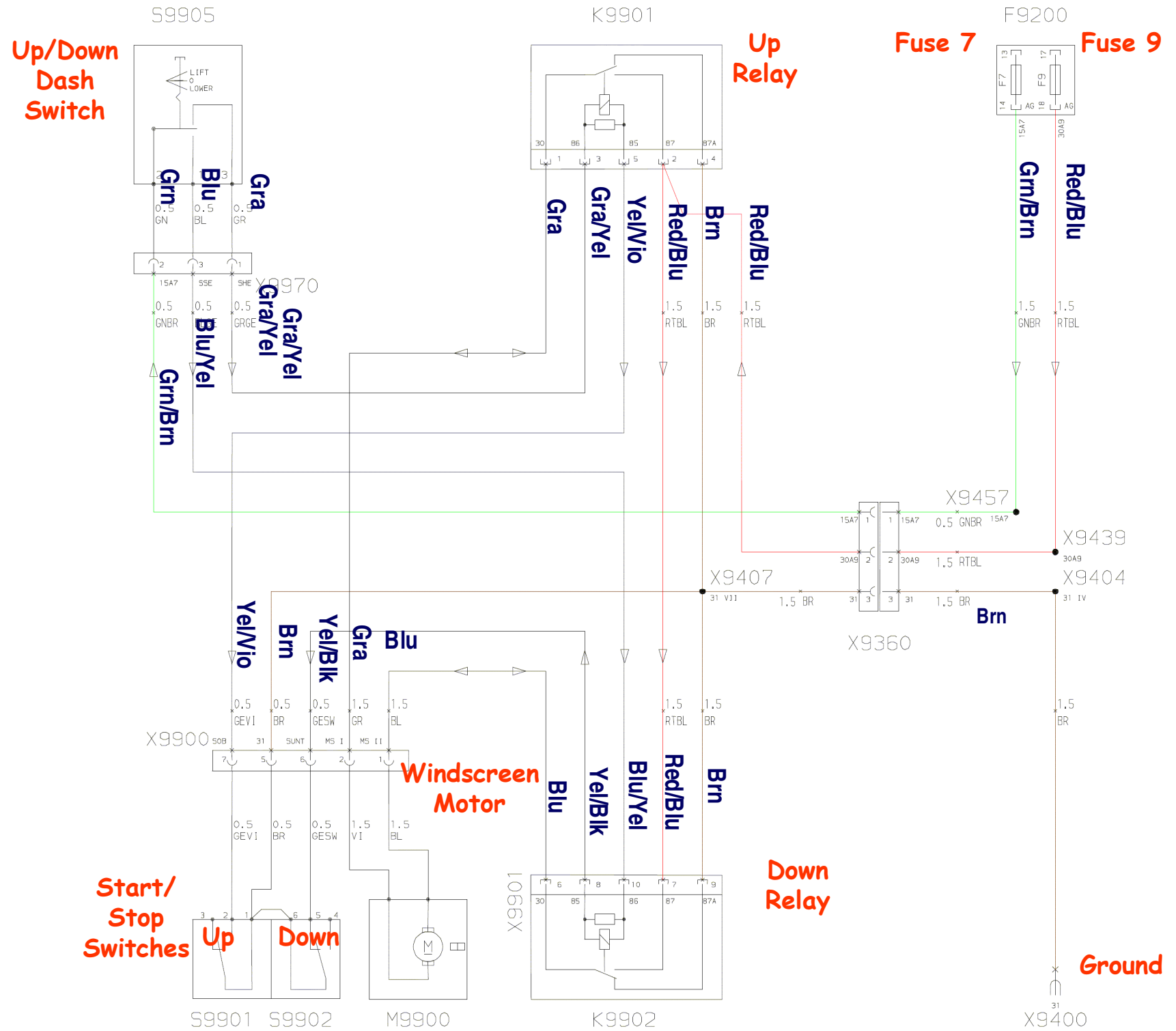


# 7) 1993 K1100LT - Radio

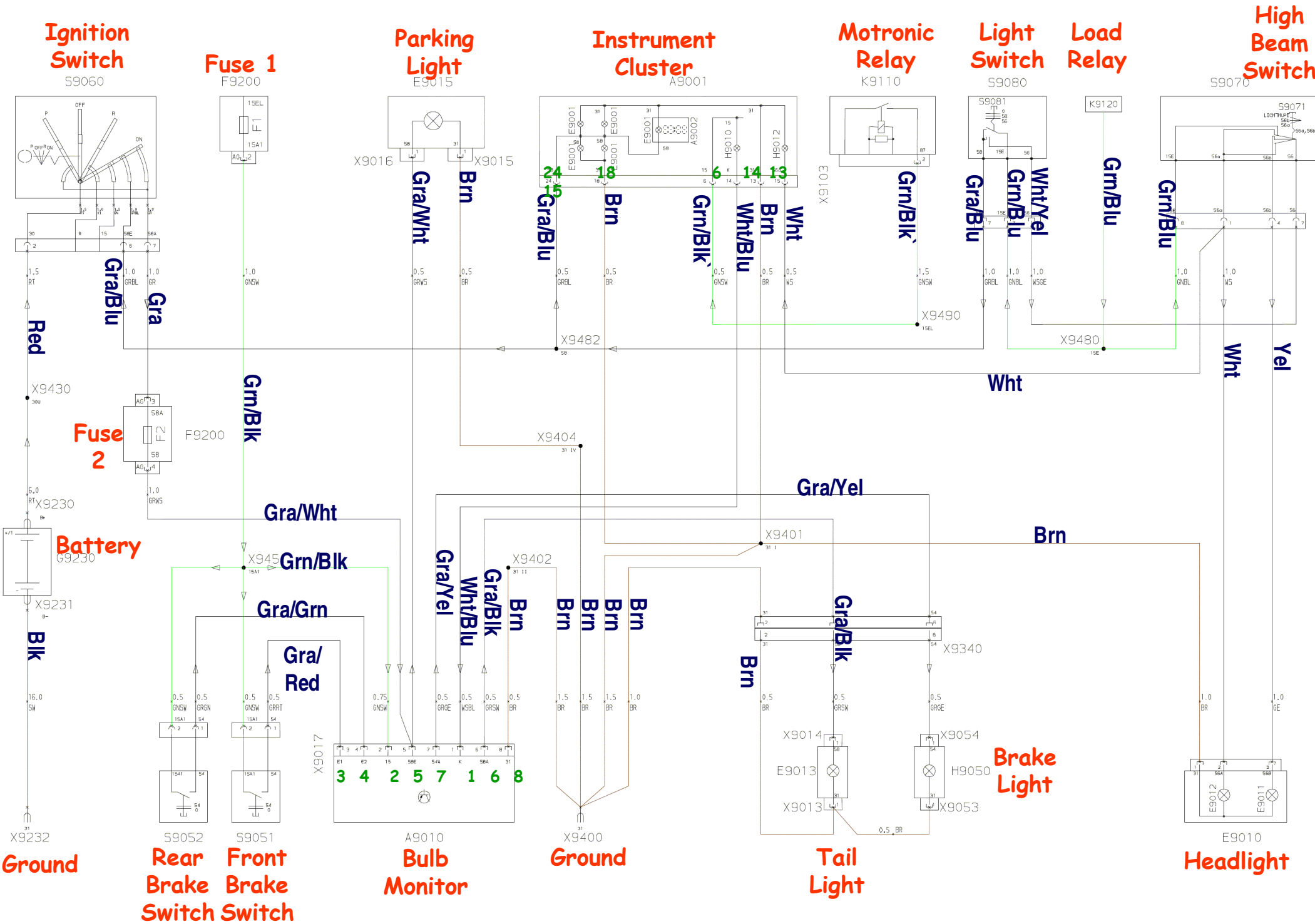




# 8) 1993 K1100LT - Windscreen



# 9) 1993 K1100LT - Lights with Brake Lights





# 11) 1993 K1100LT – Heated Grips, Power Socket, Extras

**Heated Grip Switch**  
S9930

**Fuse 1**  
F9200

**Gauges**  
X9352

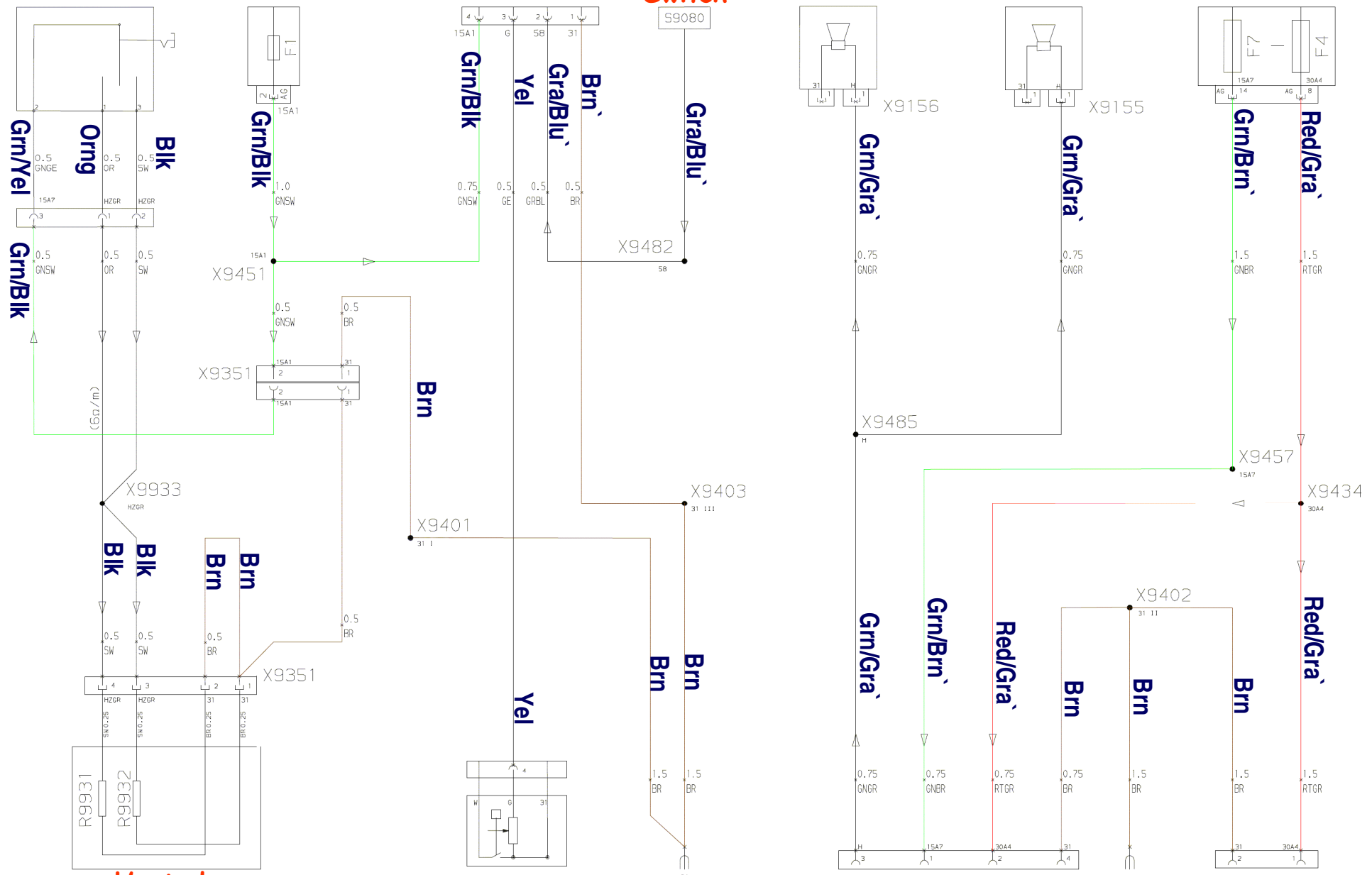
**Right Combination Switch**  
S9080

**Horn #2**  
H9152

**Horn #1**  
H9151

**Fuse 7**  
F9200

**Fuse 4**  
F9200



**Heated Grips**

**B9220 Fuel Level Sender**

**X9400 Ground**

**X9354 DWA (Alarm)**

**X9400 Ground**

**X9321 Power Socket**

A9001 Instrument panel control unit	K9100 Fuel pump relay	S9901 Position switch up	X9434 Connector 30A4
A9020 Flasher unit	K9102 DRS horn/load relief relay	S9902 Position switch down	X9439 Connector 30A19
A9190 ABS control unit	K9110 Engine-electronics relay	S9930 Switch for heated handlebar grips	X9450 Connector 15U
A9500 Control unit, engine electronics	K9120 Load relief relay	T9510 Ignition coil 1	X9451 Connector 15A6
A9910 Radio	K9130 Starter relay	T9520 Ignition coil 2	X9454 Connector 15A3
B9193 Front ABS sensor	K9140 Fan relay	X9013 STVB rear light -	X9457 Connector 15A7
B9194 Rear ABS sensor	K9150 Horn relay	X9014 STVB tail light	X9458 Connector RA8
B9210 Vehicle speed sensor	K9196 ABS relay	X9015 STVB parking light	X9458 Connector RA8
B9220 Fuel level sensor	K9197 ABS warning relay	X9016 STVB parking light	X9465 Connector MUTE
B9540 Hall sensor	K9901 Relay, raise windscreen	X9036 STVB rear left turn signal -	X9480 Connector 15E
B9550 Temperature sensor, air intake	K9902 Relay, lower windscreen	X9037 STVB rear left turn signal +	X9481 Connector 15N
B9560 Coolant temp sensor (instr)	M9100 Fuel pump	X9046 STVB rear right turn signal indicator -	X9482 Connector 58
B9690 Oxygen sensor	M9130 Starter	X9047 STVB rear right turn signal indicator +	X9483 Connector BL
E9001 Instrument lights	M9140 Fan	X9053 STVB brake light -	X9484 Connector BR
E9010 Headlight	M9900 Motor for windscreen	X9054 STVB brake light +	X9485 Connector horn
E9011 Low beam headlight	P9002 Revolution counter	X9060 STVB Ignition switch	X9490 Connector 15EL
E9012 High beam headlight	P9210 Speedometer	X9080 STVB right multi-function switch	X9513 Ignition coil ground
E9013 Tail light	R9570 Throttle potentiometer	X9101 DRS engine electronics/fuel pump relay	X9590 Diagnosis plug
E9015 Side light	R9580 CO-potentiometer	X9102 DRS horn/load relief relay	X9590 Diagnosis plug
E9358 Map light	R9611 Spark plug 1	X9130 STVB starter relay	X9632 Ground II
F9200 Fuse box I	R9612 Spark plug 2	X9131 STVB starter	X9642 Connector, ground sensor
G9230 Battery	R9613 Spark plug 3	X9133 STVB starter relay	X9643 Connector, shield
G9240 Alternator	R9614 Spark plug 4	X9134 STVB starter relay	X9643 Connector, shield
H9001 Warning light, coolant temp	R9931 Left heated handlebar	X9155 STVB horn I	X9650 Connector 15V
H9002 Telltale light, neutral	R9932 Right heated handlebar	X9156 STVB horn II	X9660 Connector V
H9010 Lamp indicator lamp	S9021 Hazard warning switch	X9220 STVB fuel level indicator	X9900 STVB windscreen adjustment
H9012 Telltale light, high-beam	S9051 Brake light switch, hand	X9232 Ground	X9901 DRS disc relay
H9030 Front left turn signal indicator	S9052 Brake light switch, foot	X9321 STVB on-board socket 1	X9910 STVB radio
H9031 Left turn signal repeater	S9060 Ignition switch	X9340 STVB lighting/rear direction indicator	X9911 STVB radio
H9035 Rear left turn signal indicator	S9070 Left multi-switch	X9350 STVB optional extra	X9912 STVB radio
H9040 Front right turn signal indicator	S9071 High beam switch	X9351 STVB heated handlebar grips	X9913 STVB speaker, left
H9041 Right turn signal repeater	S9072 Horn switch	X9353 STVB radio II	X9914 STVB speaker, right
H9045 Rear right turn signal indicator	S9073 Left turn signal switch	X9354 STVB DWA	X9915 STVB speaker, left -
H9050 Brake light	S9080 Right multi-switch	X9356 STVB map light -	X9916 STVB speaker, left +
H9092 Gear indicator	S9082 Right turn signal switch	X9357 STVB map light +	X9917 STVB speaker, right -
H9095 Warning light, engine oil pressure	S9083 Emergency stop switch	X9358 STVB map light	X9918 STVB speaker, right +
H9151 Horn I	S9084 Starter switch	X9400 Ground I	Y9601 Injection valve 1
H9152 Horn II	S9085 Turn cancel switch	X9401 Connector 31 I	Y9602 Injection valve 2
H9190 Warning light, ABS	S9091 Clutch switch	X9402 Connector 31 II	Y9603 Injection valve 3
H9220 Fuel warning lamp	S9092 RFH switch	X9403 Connector 31 III	Y9604 Injection valve 4
H9240 Warning light, battery charge	S9093 Side-stand switch	X9404 Connector 31 IV	
H9913 Speaker left	S9095 Oil pressure switch	X9407 Connector 31 VII	
H9914 Speaker right	S9195 ABS button	X9430 Connector 30I I	

# 13) 1993 & Earlier K1100LT Fuse Block

#	From	Wire	Fuse	Wire	To
1	Kill Switch	Grn/Yel	15 (Switched)	Grn/Blk	Brake Switches Bulb Monitor Unit Heated Grips Fuel & Temp Gauges
2	Ignition Switch	Gray	15 (Switched)	Gra/Wht	Front Parking Light Bulb Monitor Unit
3	Battery	Red	15 (Unswitched)	Red/Wht	Instrument Cluster Clock Flasher Relay
4	Battery	Red	15 (Unswitched)	Red/Grn	Power Socket Alarm Connector
5	Battery	Red	15 (Unswitched)	Red/Yel	Motronic Control Unit Motronic Relay
6	Battery	Red	15 (Unswitched)	Red/Grn	Fuel Pump Relay
7	Load Shed Relay (87)	Grn/Blu	15 (Switched)	Grn/Brn	Fan Relay Flasher Relay Horn Relay Windscreen Switch Alarm Connector
8	Ignition Switch	Violet	15 (Switched)	Vio/Blk	Radio Map Light
9	Battery	Red	15 (Unswitched)	Red/Blu	Radio Windscreen Relays