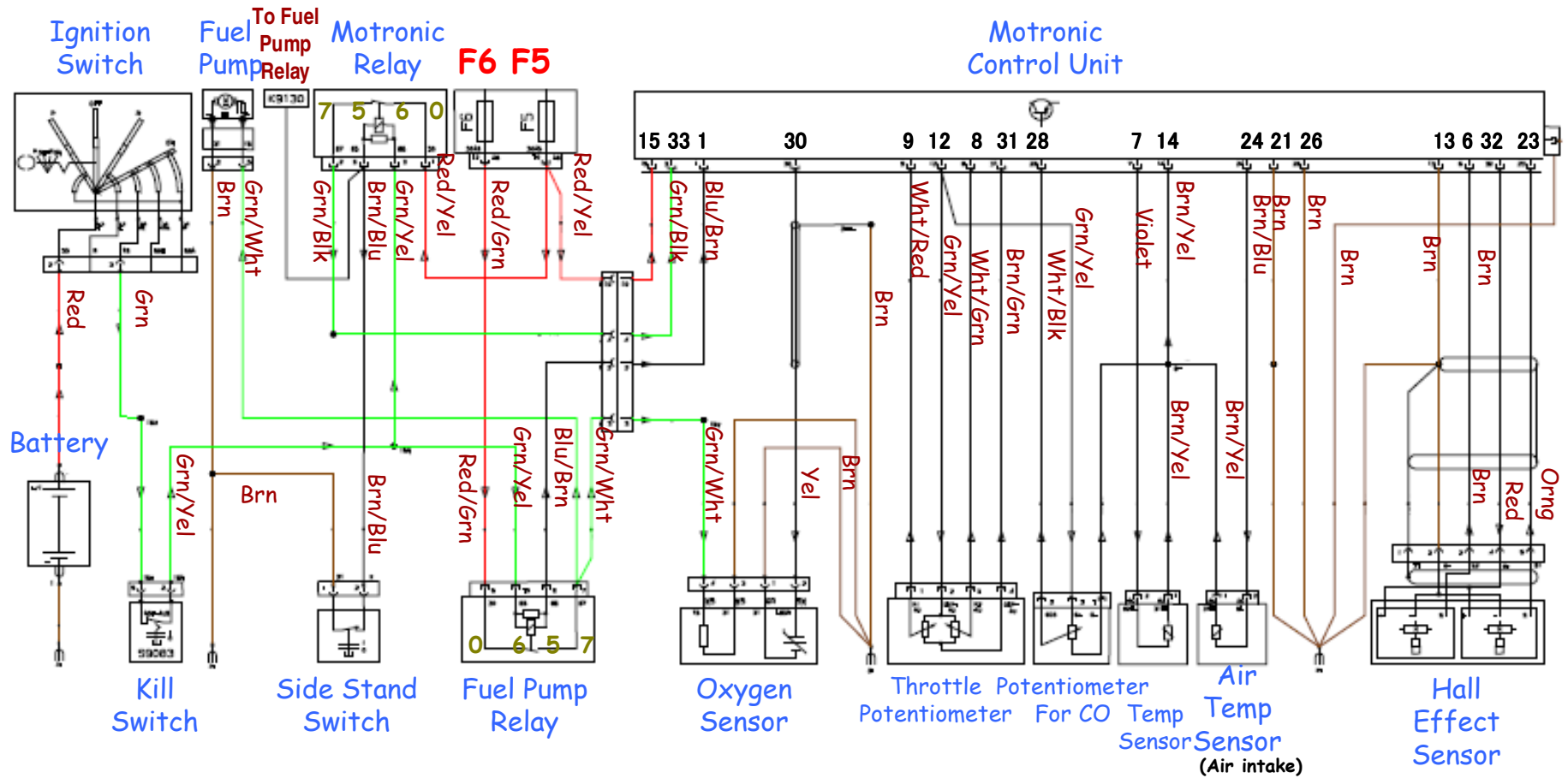


94+ K1100RS Wiring Diagrams

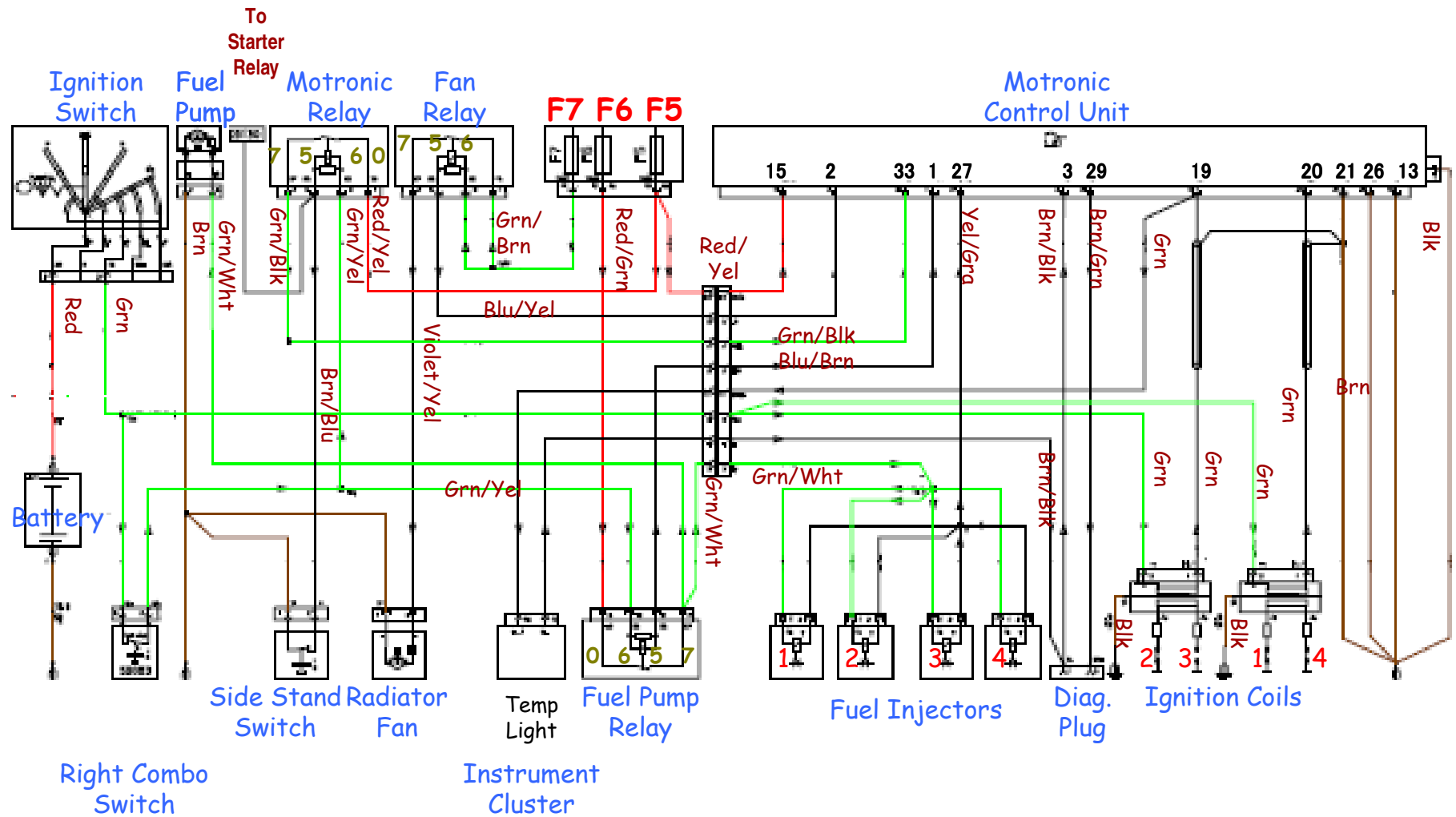


Motronic with Inputs	2
Motronic with Outputs	3
ABS	4
Starter & Alternator	5
Fuse & Ground	6
Lighting	7
Indicators & Horn	8
Heated Grips & Additional Equipment	9
Instruments	10
Component IDs	11
Connectors	12
Fuses	13

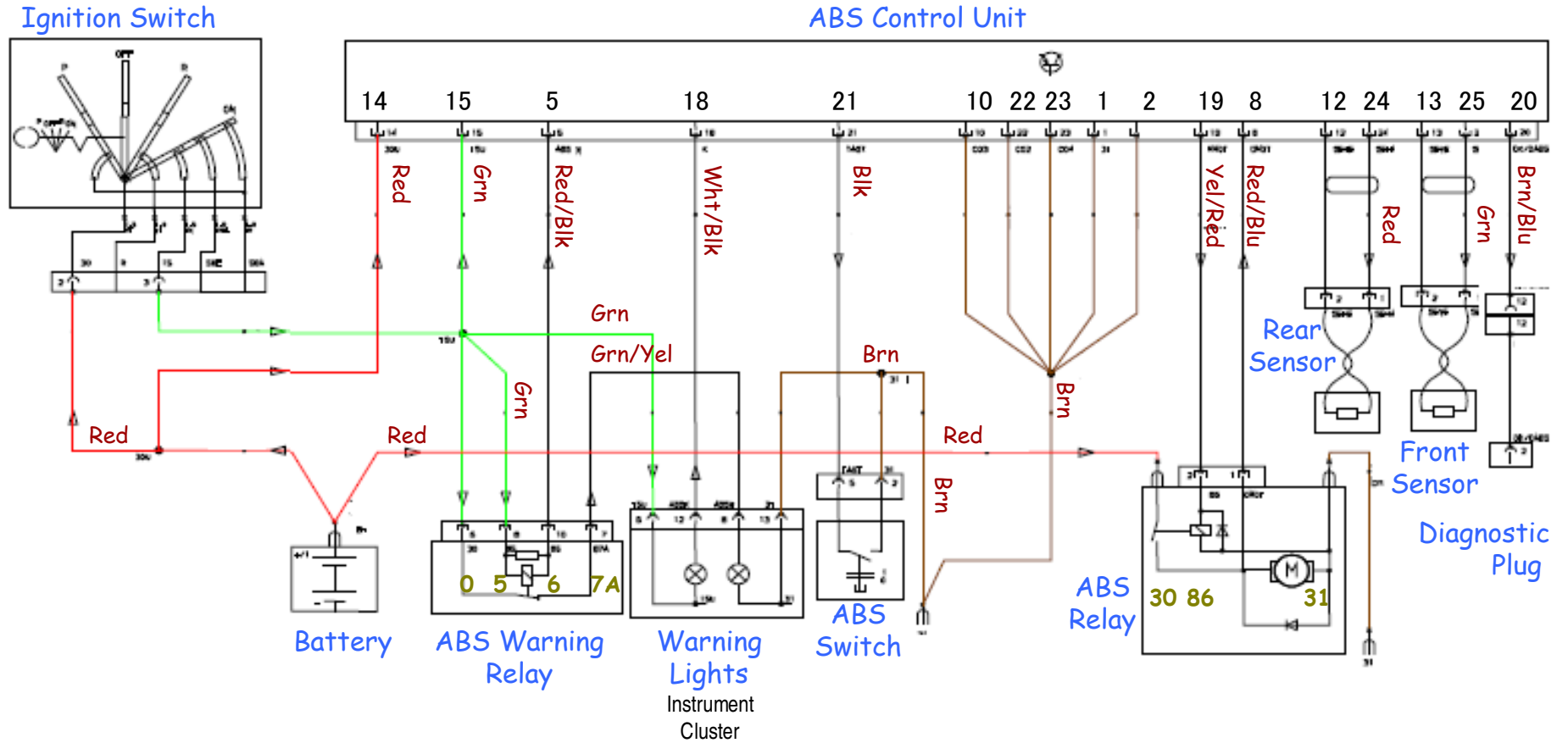
K1100RS 1994+ Wiring – Motronic with Inputs



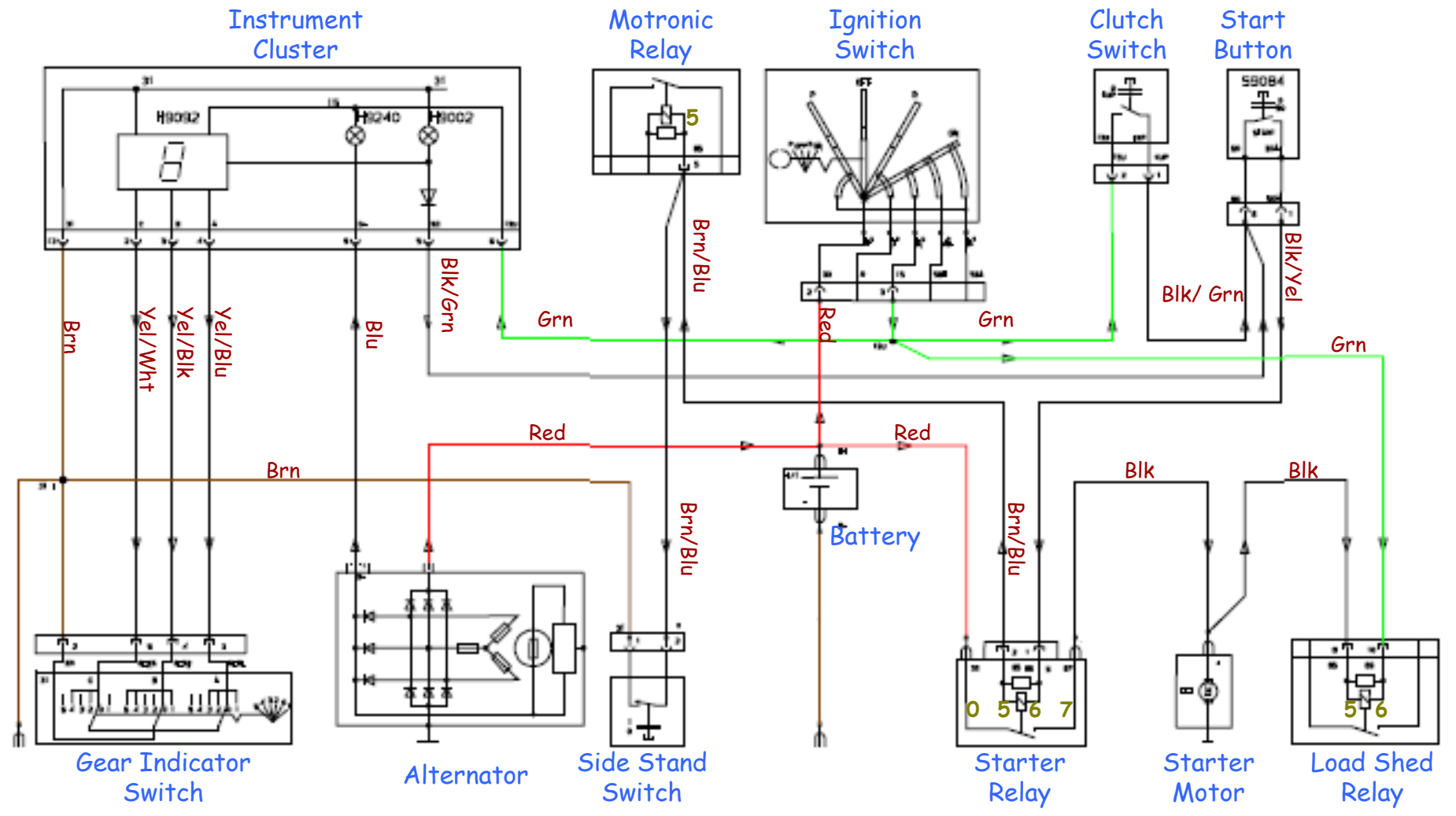
K1100RS 1994+ Wiring – Motronic with Outputs



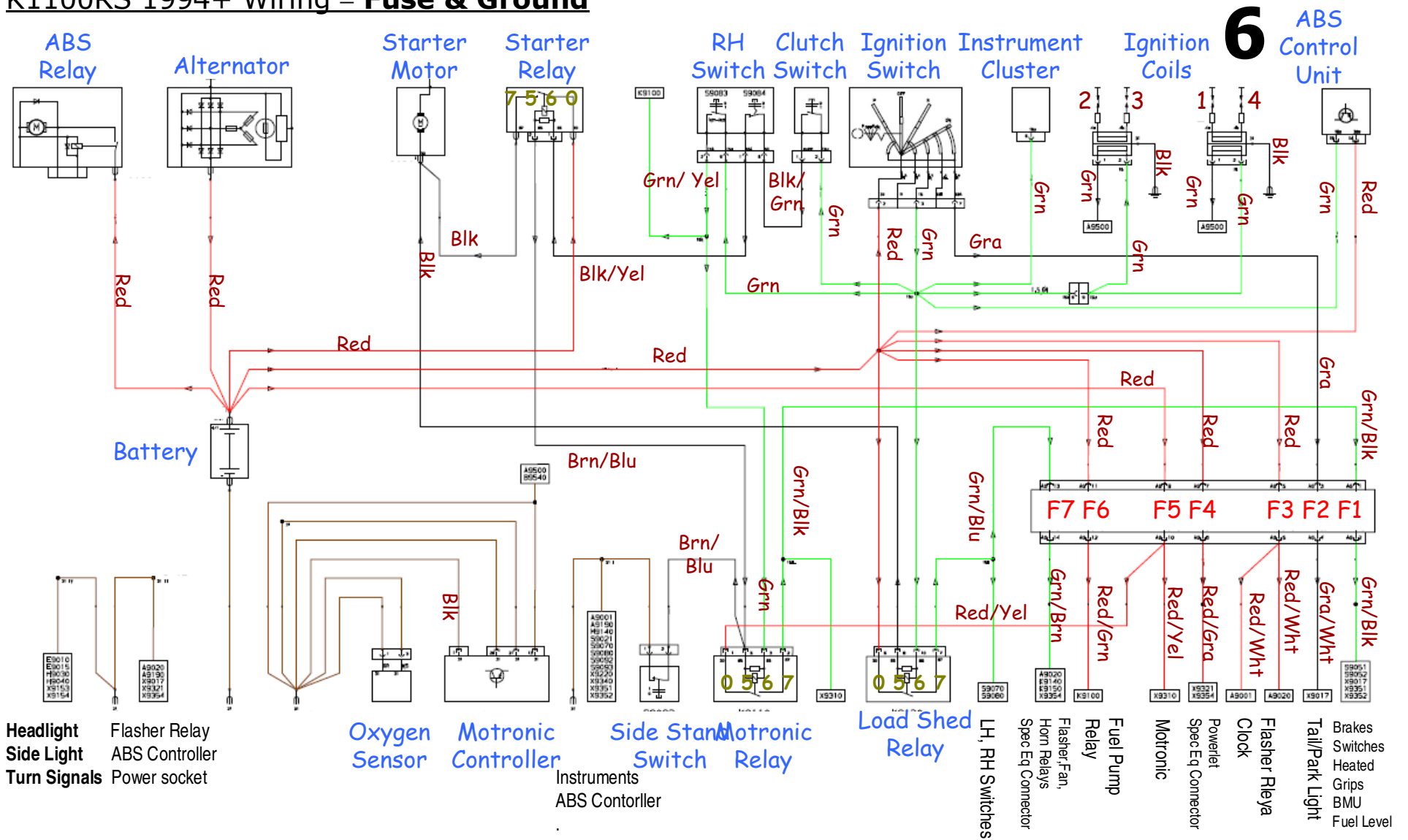
K1100RS 1994+ Wiring - **ABS**



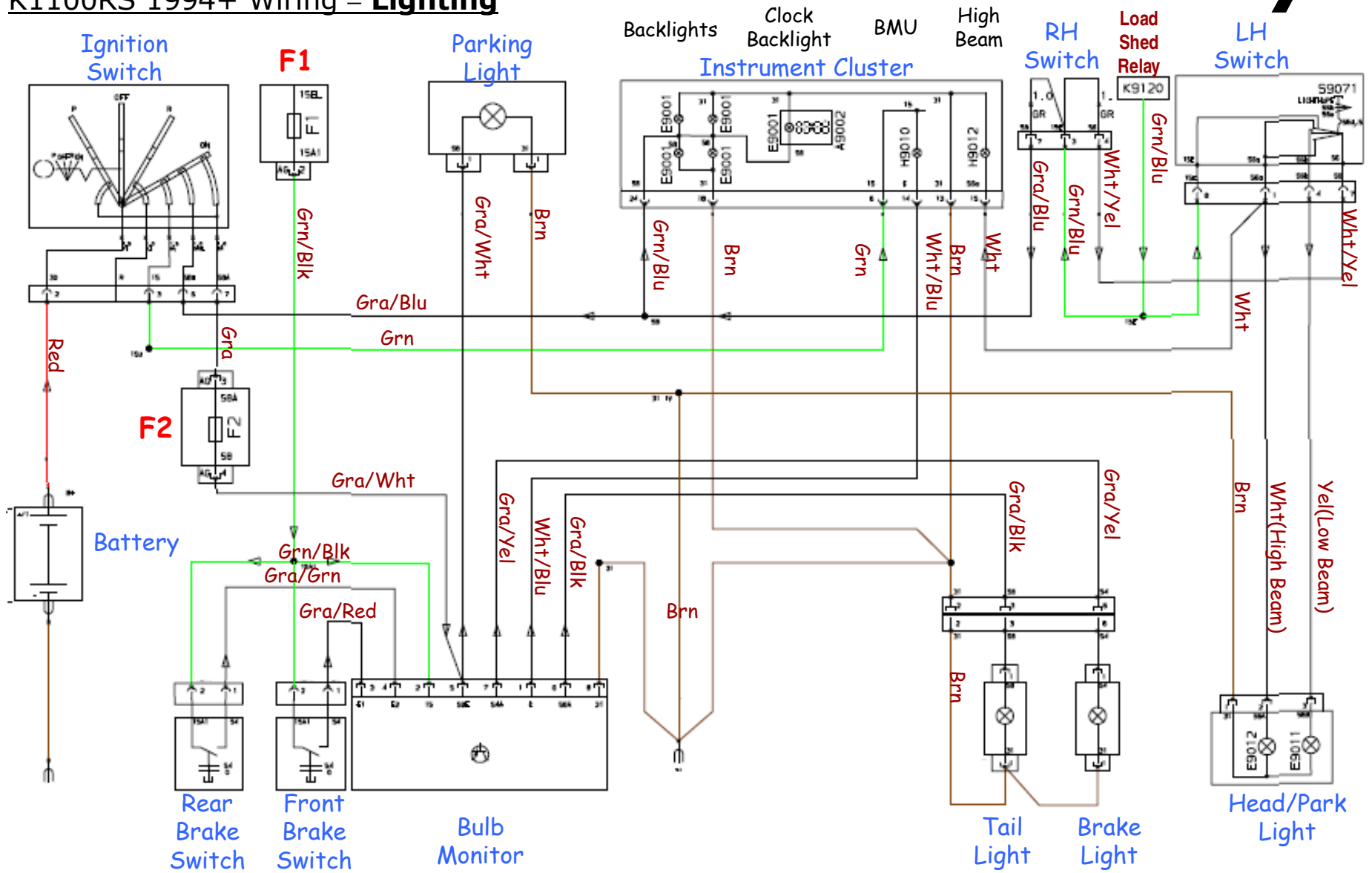
K1100RS 1994+ Wiring – **Starter & Alternator**



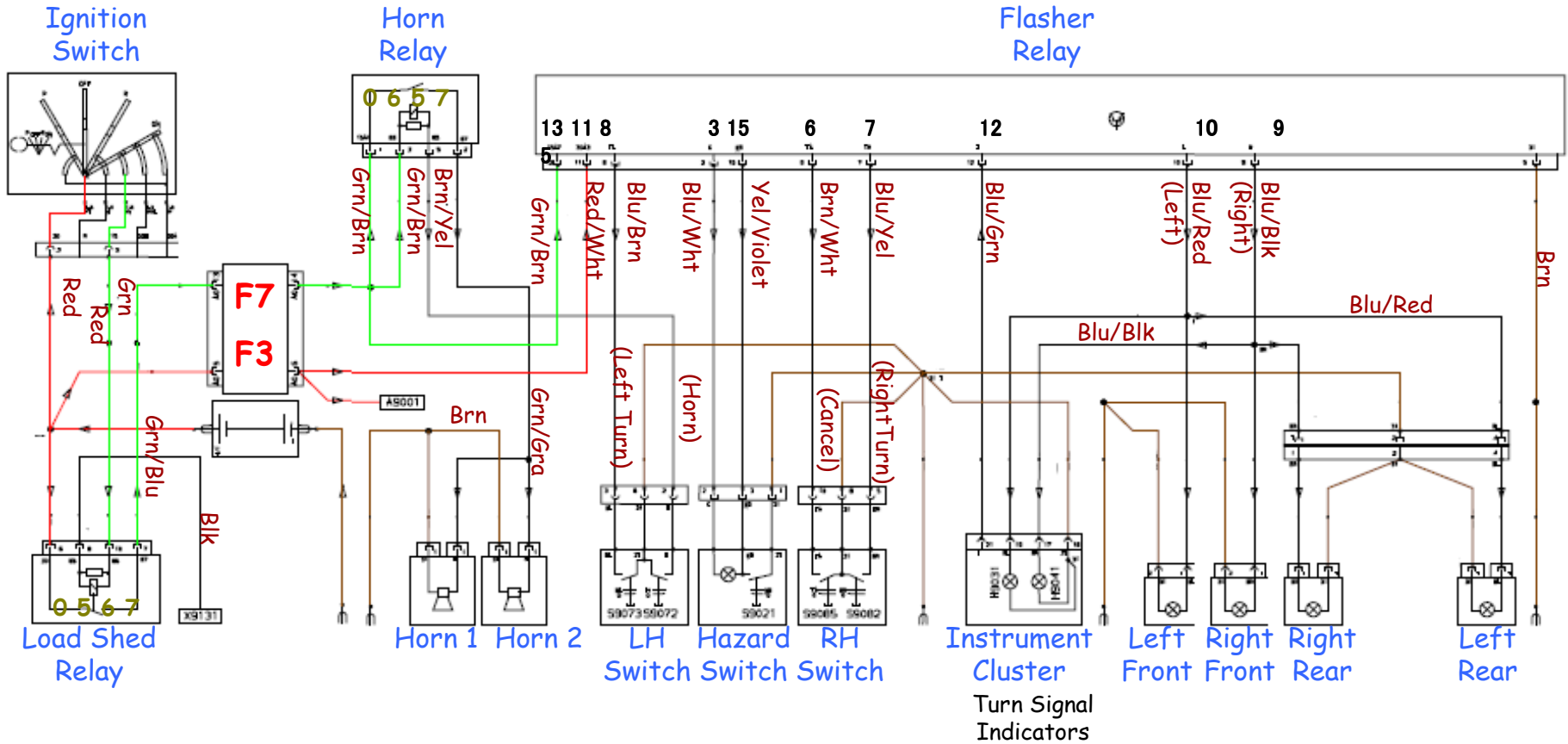
K1100RS 1994+ Wiring – Fuse & Ground



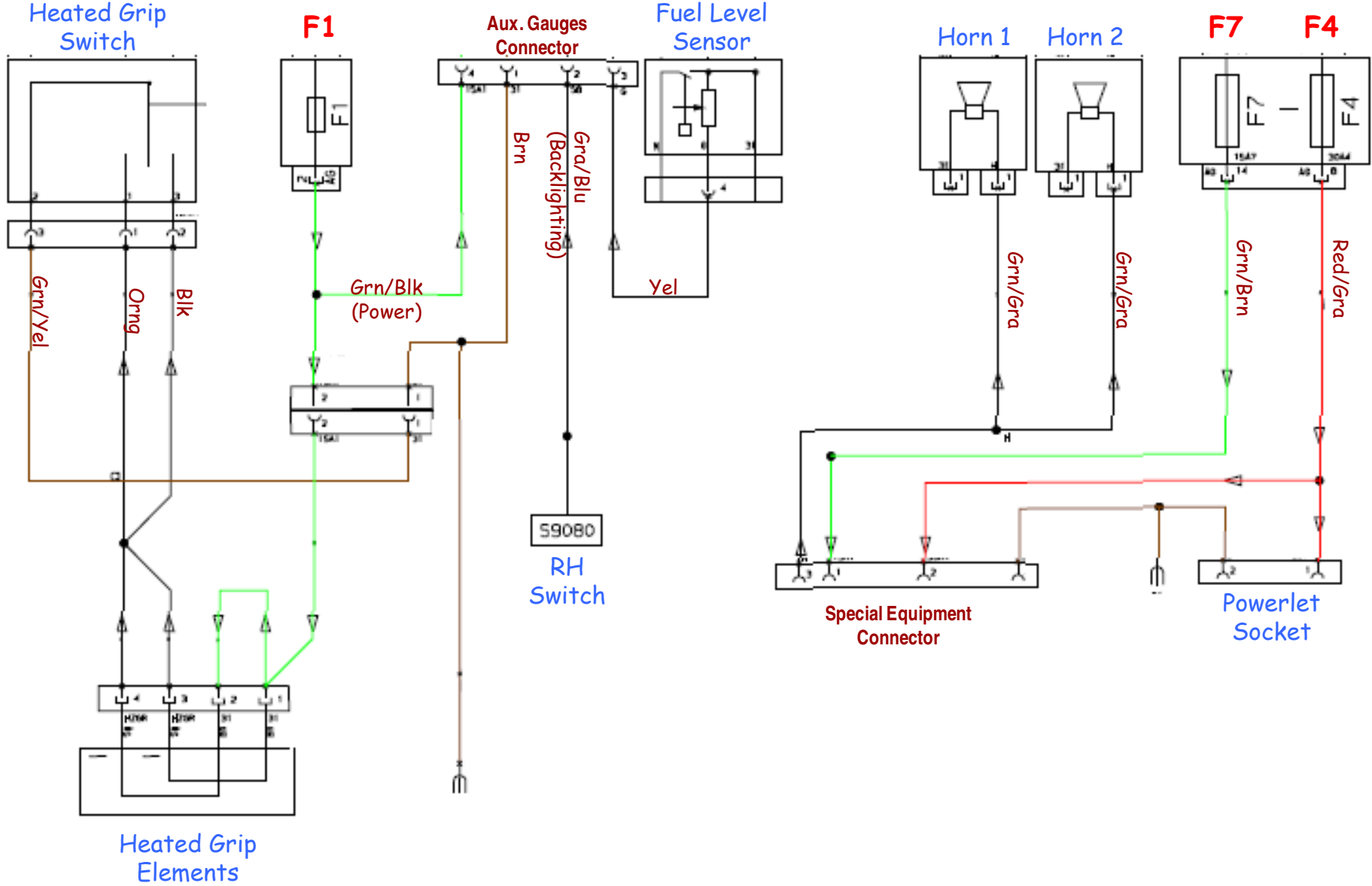
K1100RS 1994+ Wiring – Lighting



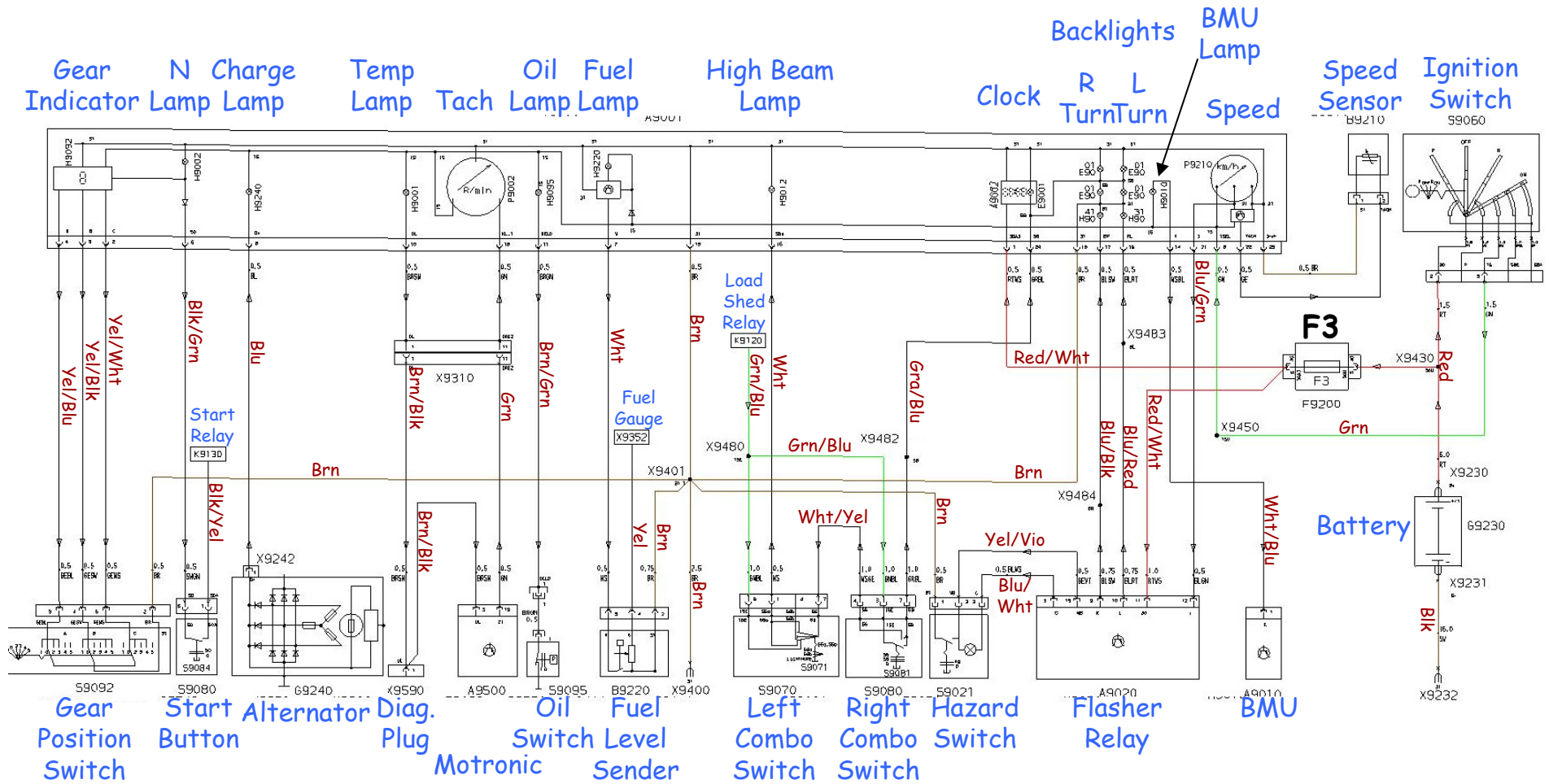
K1100RS 1994+ Wiring – Indicators & Horn



K1100RS 1994+ Wiring – Heated Grips & Additional Equipment



K1100RS 1994+ Wiring – Instruments



A - Instrument Cluster, Control Units	K - Relays		
A9001 Instrument panel control unit		K9100 Fuel pump relay	
A9020 Flasher unit		K9110 Engine-electronics relay	
A9190 ABS control unit		K9120 Load relief relay	S- Switches
B - Sensors		K9130 Starter relay	
A9500 Control unit, engine electronics		K9140 Fan relay	S9021 Hazard warning switch
B9193 Front ABS sensor		K9150 Horn relay	S9051 Brake light switch, hand
B9194 Rear ABS sensor		K9196 ABS relay	S9052 Brake light switch, foot
B9210 Vehicle speed sensor		K9197 ABS warning relay	S9060 Ignition switch
B9220 Fuel level sensor	M - Motors		S9070 Left multi-function switch
B9540 Hall sensor		M9100 Fuel pump	S9071 High beam switch
B9550 Temperature sensor, air intake		M9130 Starter	S9072 Horn switch
B9560 Coolant temperature sensor		M9140 Fan	S9073 Left turn signal switch
(instrument)			S9080 Right multi-function switch
E - Lights	P - Counters		S9082 Right turn signal switch
B9690 Oxygen sensor		P9002 Revolution counter	S9083 Emergency stop switch
E9001 Instrument lights		P9210 Speedometer	S9084 Starter switch
E9010 Headlight			S9085 Turn indicator cancel switch
E9013 Tail light	R - Resistors		S9091 Clutch switch
E9015 Side light		R9570 Throttle potentiometer (DKP)	S9092 RFH switch
F - Fuse Box		R9580 CO-potentiometer	S9093 Side-stand switch
F9200 Fuse box I		R9611 Spark plug 1	S9095 Oil pressure switch
G - Electrical		R9612 Spark plug 2	S9195 ABS button
G9230 Battery		R9613 Spark plug 3	S9930 Switch for heated handlebar grips
G9240 Alternator		R9614 Spark plug 4	
H - Lights, Horns		R9931 Left heated handlebar grip	
H9001 Warning light, coolant temperature		R9932 Right heated handlebar grip	
H9002 Telltale light, neutral			
H9010 Lamp indicator lamp			
H9012 Telltale light, high-beam headlight			
H9030 Front left turn signal indicator			
H9031 Left turn signal repeater			
H9035 Rear left turn signal indicator			
H9040 Front right turn signal indicator			
H9041 Right turn signal repeater			
H9045 Rear right turn signal indicator			
H9050 Brake light			
H9092 Gear indicator			
H9095 Warning light, engine oil pressure			
H9151 Horn I			
H9152 Horn II			
H9190 Warning light, ABS			
H9220 Fuel warning lamp			
H9240 Warning light, battery charge current			
			Y-Fuel Injectors
			Y9601 Injection valve 1
			Y9602 Injection valve 2
			Y9603 Injection valve 3
			Y9604 Injection valve 4
			T - Ignition Coils
			T9510 Ignition coil 1
			T9520 Ignition coil 2

X - Connectors

X9001 STVB instrument panel control unit
X9013 STVB rear light -
X9014 STVB tail light
X9015 STVB parking light
X9016 STVB parking light
X9036 STVB rear left turn signal -
X9037 STVB rear left turn signal +
X9046 STVB rear right turn signal indicator -
X9047 STVB rear right turn signal indicator +
X9053 STVB brake light -
X9054 STVB brake light +
X9080 STVB right multi-function switch
X9101 DRS engine electronics/fuel pump relay
X9102 DRS horn/load relief relay
X9130 STVB starter relay
X9131 STVB starter
X9133 STVB starter relay
X9134 STVB starter relay
X9155 STVB horn I
X9156 STVB horn II
X9188 STVB ABS relay
X9189 STVB ABS relay
X9196 STVB ABS relay
X9220 STVB fuel level indicator
X9230 Battery positive
X9231 Battery ground
X9232 Ground
X9233 Gearbox ground
X9241 STVB alternator +
X9242 STVB alternator D+
X9321 STVB on-board socket 1
X9340 STVB lighting/rear direction indicator
X9351 STVB heated handlebar grips
X9354 STVB DWA
X9400 Ground I
X9401 Connector 31 I
X9402 Connector 31 II
X9404 Connector 31 IV
X9430 Connector 30U
X9434 Connector 30A4
X9450 Connector 15U
X9451 Connector 15A6
X9457 Connector 15A7
X9465 Connector MUTE
X9480 Connector 15E
X9481 Connector 15N
X9482 Connector 58
X9483 Connector BL
X9484 Connector BR
X9485 Connector horn
X9490 Connector 15EL
X9500 STVB control unit, engine electronics
X9501 STVB control unit ground, engine electronics
X9513 Ignition coil ground
X9590 Diagnosis plug
X9642 Connector, ground sensor
X9643 Connector, shield
X9650 Connector 15V
X9660 Connector V
X9690 STVB oxygen sensor (Cylinder 1)
X9933 Connector heated handlebar grips

94+ K1100RS Fuse Block

13

#	From	Wire	Fuse	Wire	To
1	Motronic Relay	Grn/Blk	15 (Switched)	Grn/Blk	Brake Switches Bulb Monitor Unit Heated Grips Fuel & Temp Gauges
2	Ignition Switch	Gray	15 (Switched)	Gra/Wht	Front Parking Light Bulb Monitor Unit
3	Battery	Red	15 (Unswitched)	Red/Wht	Instrument Cluster Clock Flasher Relay
4	Battery	Red	15 (Unswitched)	Red/Grn	Power Socket Alarm Connector
5	Battery	Red	15 (Unswitched)	Red/Yel	Motronic Control Unit Motronic Relay
6	Battery	Red	15 (Unswitched)	Red/Grn	Fuel Pump Relay
7	Load Shed Relay (87)	Grn/Blu	15 (Switched)	Grn/Brn	Fan Relay Flasher Relay Horn Relay Alarm Connector